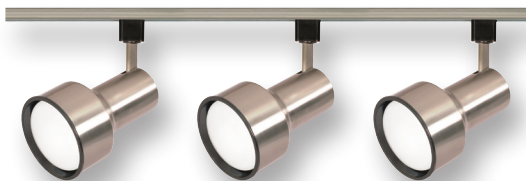
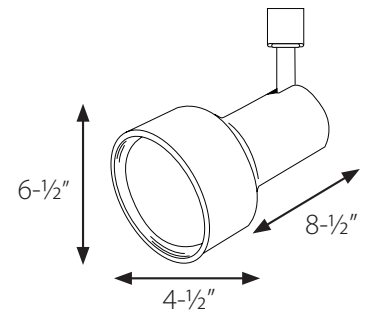
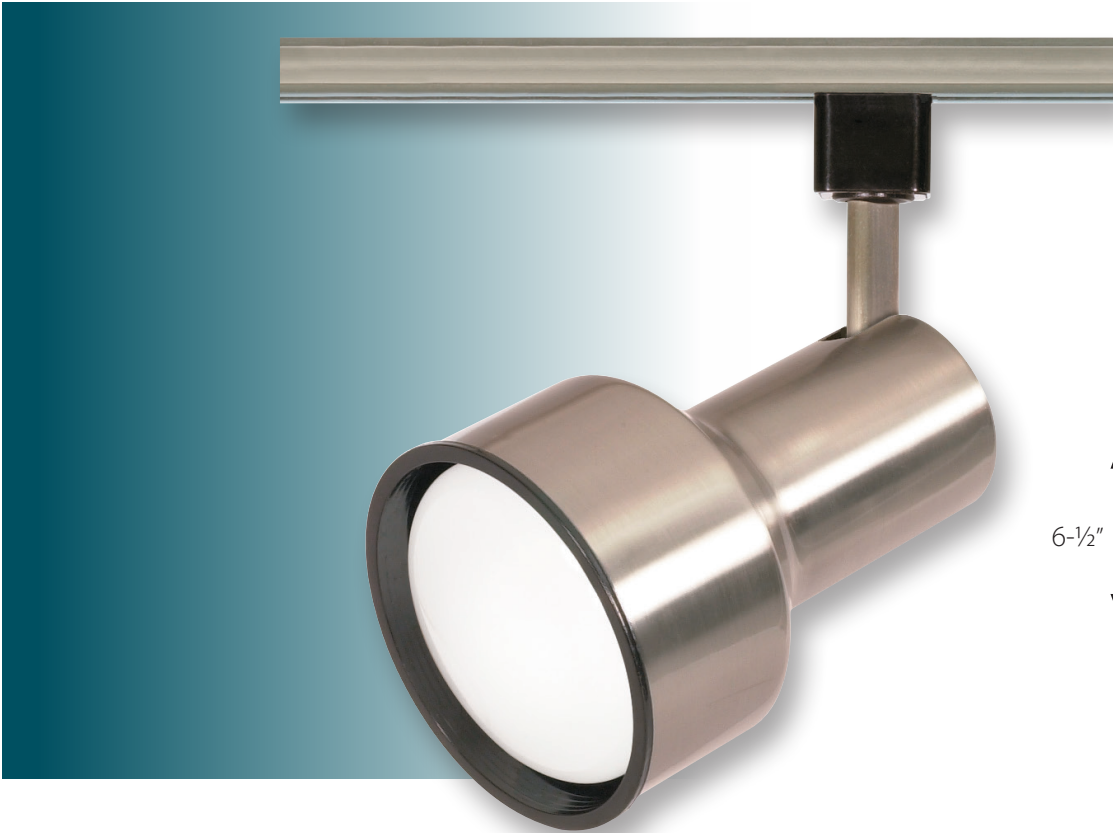


# NUVO LIGHTING

## Product Information



### Track Lighting Kits

#### R30 Step Cylinder

TK340 - Brushed nickel  
(3) R30/PAR30 (longneck) 75W max.

#### Linear track kits include

- (1) Four foot track
- (3) Track lighting heads
- (1) Floating power feed canopy
- All necessary mounting hardware
- Four color display carton

#### Dimensions:

Height 6-1/2", Width 4-1/2", Extension 8-1/2"

**NUVO**  
LIGHTING

Another innovative Satco Brand  
[www.nuvolighting.com](http://www.nuvolighting.com)



National Toll-Free: 1.800.43.SATCO (1.800.437.2826) [www.satco.com](http://www.satco.com)  
Corporate Offices: 110 Heartland Blvd., Brentwood, NY 11717 800.437.2826 631.243.2022 Fax 631.243.2027  
Distribution Centers: New York, Florida, Texas, Washington, California, Puerto Rico



Like us!



Follow us!

© Copyright 2014, SATCO Products, Inc.